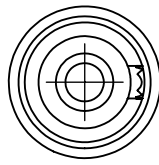
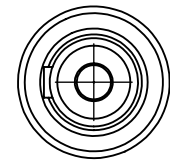
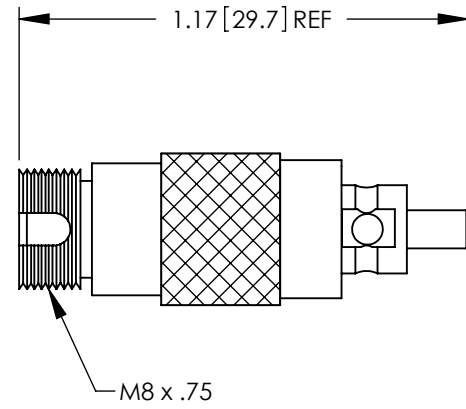


THE INFORMATION CONTAINED IN THIS DRAWING IS THE SOLE PROPERTY OF L-COM, INC. ANY REPRODUCTION IN PART OR WHOLE WITHOUT THE WRITTEN PERMISSION OF L-COM, INC. IS PROHIBITED.

REVISIONS			
REV	DESCRIPTION	DATE	APPROVED
A	INITIAL RELEASE	10/29/07	D.FRISIELLO
B	ECN 3067: UPDATE DRAWING NOTES	11/1/07	D.GRIFFIN
C	ECN3399: CHNGD DIMS TO REF. ADDED ROHS STAMP.	06/18/08	D. PARHAM



FC JACK



FC PLUG

MODEL	ATTENUATION	BACK REFLECTION
FOATFCP-05D	5dB	≤ -45dB
FOATFCP-10D	10dB	≤ -45dB
FOATFCP-15D	15dB	≤ -45dB
FOATFCP-20D	20dB	≤ -45dB
FOATFCP-25D	25dB	≤ -45dB

ALL DIMENSIONS FOR REFERENCE ONLY

RoHS Compliant ✓

- NOTES
1. ATTENUATOR UTILIZES "PC" POLISH.
 2. ATTENUATOR IS PACKAGED WITH TWO DUST CAPS INSTALLED (NOT SHOWN)
 3. OPERATING TEMPERATURE RANGE: -40° C TO +75° C.
 4. SINGLE MODE WAVELENGTH RANGE: 1310-1550 nm.

UNLESS OTHERWISE SPECIFIED, DIMENSIONS ARE IN INCHES [mm]	APPROVALS	DATE		45 BEECHWOOD DRIVE NORTH ANDOVER, MA 01845
	DRAWN BY D.FRISIELLO	10/29/07		
OVERALL CABLE LENGTH TOLERANCE: ≤12 [305] = +1 [25] / -0 >12 [305] ≤60 [1524] = +2 [51] / -0 >60 [1524] ≤120 [3048] = +4 [102] / -0 >120 [3048] ≤300 [7620] = +6 [152] / -0 >300 [7620] = +5% / -0%	CHECKED BY D.CASTRO	10/29/07	CATEGORY	
	APPROVED BY P.McNEIL	10/29/07	FIBER OPTICS	
ALL OTHER DIMENSIONAL TOLERANCES: .X = .3 .XX = .15	CONFIGURATION DETAILS OF UNDIMENSIONED FEATURES MAY VARY		PRODUCT DESCRIPTION	
PROJECTION	COLOR VARIATIONS MAY OCCUR		SIZE A	FSCM NO. 43321
	REF		DWG. NO. FOATFCP	REV. C
			SCALE: NONE	CAD FILE: FOATFCP.SLDDRW
				SHEET 1 OF 1