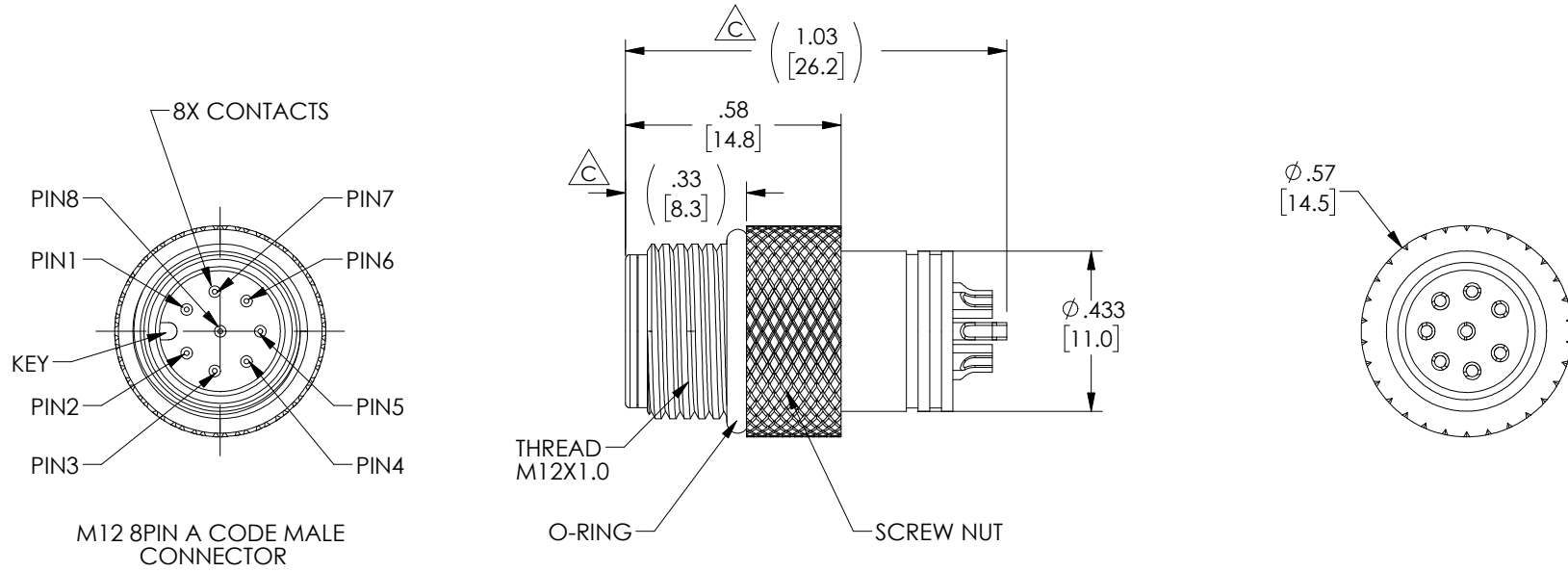


THE INFORMATION CONTAINED IN THIS DRAWING IS THE SOLE PROPERTY OF L-COM, INC. ANY REPRODUCTION IN PART OR WHOLE WITHOUT THE WRITTEN PERMISSION OF L-COM, INC. IS PROHIBITED.

REVISIONS			
REV	DESCRIPTION	DATE	APPROVED
A	REV A DRAWING RELEASED	05/16/2018	DCUI
B	ECN 9390:CONTACT RESISTANCE CHANGE TO 10 MILLI-OHM MAX.	08/30/2018	BGATES
C	ECN 12905:UPDATED DIM. AS PER NEW SPEC and PHYSICAL GOODS.	09/22/2022	GUTTADAURO



M12 8PIN A CODE MALE CONNECTOR

NOTES

MATERIAL:
 CONTACT: COPPER ALLOY, GOLD FLASH PLATE
 HOUSING: THERMOPLASTIC, UL94 V-0, BLACK
 SHELL/SCREW NUT: COPPER ALLOY, NICKEL PLATE
 O-RING: SILICONE

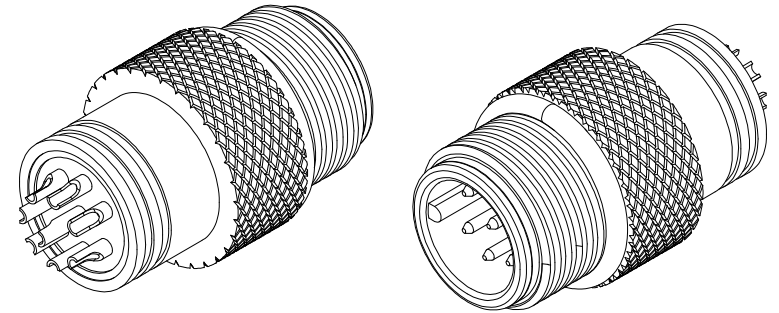
ELECTRICAL:
 NOMINAL VOLTAGE RATING: 30 V
 MAX CURRENT: 2A
 CONTACT RESISTANCE: 10 MILLI OHM MAX.
 INSULATION RESISTANCE: 100MΩ MIN.


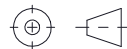
APPLICATION:
 INGRESS PROTECTION RATING IS IP67

ENVIRONMENTAL:
 OPERATING TEMPERATURE RANGE: -25°C TO +85°C

MISCELLANEOUS:
 CONNECTOR SHALL BE INDIVIDUALLY PACKAGED IN ACCORDANCE WITH L-COM SPECIFICATION PS-0031.

REGULATORY COMPLIANCE
 EU RoHS DIRECTIVE (MOST RECENT RELEASED VERSION)



UNLESS OTHERWISE SPECIFIED, DIMENSIONS ARE IN INCHES [mm] OVERALL CABLE LENGTH TOLERANCE: ≤12 [305] = +1 [25] / -0 >12 [305] ≤60 [1524] = +2 [51] / -0 >60 [1524] ≤120 [3048] = +4 [102] / -0 >120 [3048] ≤300 [7620] = +6 [152] / -0 >300 [7620] = +5% / -0 ALL OTHER DIMENSIONAL TOLERANCES: .X = ± .2 [5] FRACTIONS ± 1/32 .XX = ± .02 [5] ANGLES ± 1° .XXX = ± .005 [13]	APPROVALS CN_DEREK_CUI	DATE 05/16/2018	 50 High Street, West Mill, North Andover, MA 01845 USA. Phone: 1.800.341.5266 1.978.682.6936
	CHECKED BY CN_SHAWN_PAN	05/16/2018	
THIRD-ANGLE PROJECTION 	APPROVED BY DGUTTADAURO	05/16/2018	PRODUCT DESCRIPTION M12 8P A-CODE MALE CONNECTOR MOLDING TYPE
COLOR VARIATIONS MAY OCCUR REF. 1AA13-207	SIZE A	CAGE CODE 43321	DWG. NO. M128AM-MLD SCALE: NONE CAD FILE: M128AM-MLD.SLDDRW SHEET 1 OF 1