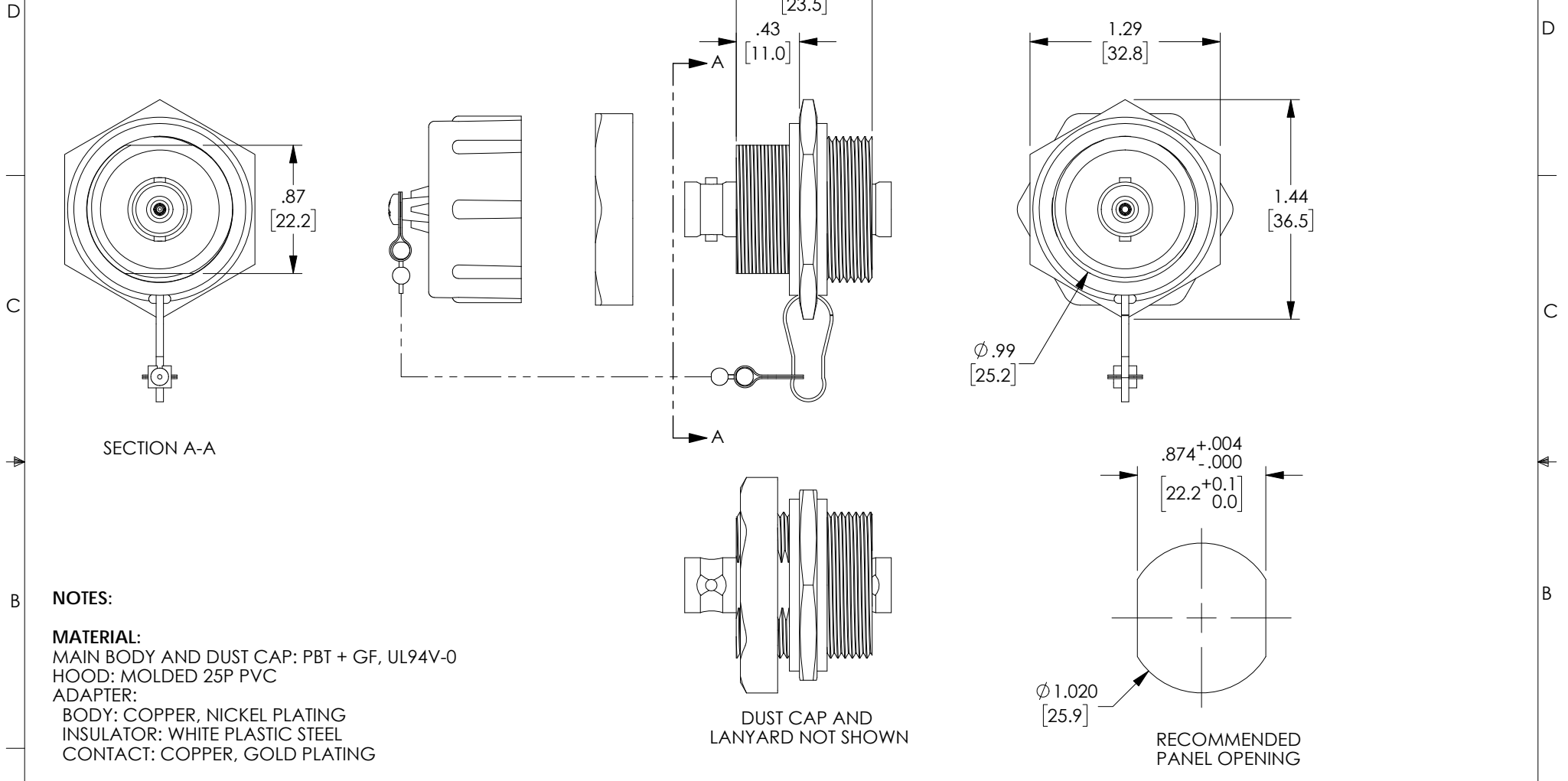


THE INFORMATION CONTAINED IN THIS DRAWING IS THE SOLE PROPERTY OF L-COM, INC. ANY REPRODUCTION IN PART OR WHOLE WITHOUT THE WRITTEN PERMISSION OF L-COM, INC. IS PROHIBITED.

REVISIONS			
REV	DESCRIPTION	DATE	APPROVED
A	INITIAL RELEASE	05/03/2021	MBLACKWOOD



SECTION A-A

NOTES:
MATERIAL:
 MAIN BODY AND DUST CAP: PBT + GF, UL94V-0
 HOOD: MOLDED 25P PVC
 ADAPTER:
 BODY: COPPER, NICKEL PLATING
 INSULATOR: WHITE PLASTIC STEEL
 CONTACT: COPPER, GOLD PLATING


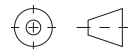
PHYSICAL CHARACTERISTICS:
 OPERATING TEMPERATURE RANGE: -10 °C TO +60 °C.
 STORAGE TEMPERATURE RANGE: -40 °C TO +68 °C.
 HUMIDITY: 10% ~ 90% RH
 IP RATING: IP68-WHEN DUST CAP IS ENGAGED.

ELECTRICAL:
 IMPEDANCE: 75 OHM

PACKAGING:
 ASSEMBLY SHALL BE INDIVIDUALLY PACKAGED IN ACCORDANCE WITH L-COM SPECIFICATION PS-0031.

DUST CAP AND LANYARD NOT SHOWN

RECOMMENDED PANEL OPENING

UNLESS OTHERWISE SPECIFIED, DIMENSIONS ARE IN INCHES [mm] OVERALL CABLE LENGTH TOLERANCE: ≤12 [305] = +1 [25] / -0 >12 [305] ≤60 [1524] = +2 [51] / -0 >60 [1524] ≤120 [3048] = +4 [102] / -0 >120 [3048] ≤300 [7620] = +6 [152] / -0 >300 [7620] = +5% / -0 ALL OTHER DIMENSIONAL TOLERANCES: .X = ± .2 [5] FRACTIONS ± 1/32 .XX = ± .02 [5] ANGLES ± 1° .XXX = ± .005 [13]	APPROVALS	DATE	 50 High Street, West Mill, North Andover, MA 01845 USA. Phone: 1.800.341.5266 1.978.682.6936		
	DRAWN BY DFRISIELLO	05/03/2021		CATEGORY COAXIAL	
CHECKED BY MBLACKWOOD	05/03/2021	PRODUCT DESCRIPTION IP68 Waterproof BNC Adapter, F/F with Dust Caps			
APPROVED BY MBLACKWOOD	05/03/2021		SIZE A	CAGE CODE 43321	ITEM NO. V7C00022
THIRD-ANGLE PROJECTION 	CONFIGURATION DETAILS OF UNDIMENSIONED FEATURES MAY VARY	COLOR VARIATIONS MAY OCCUR	SCALE: NONE	CAD FILE: V7C00022.SLDDRW	SHEET 1 OF 1